



Streamline™ Step-On containers, constructed with the highest quality materials, meet the needs of any environment with efficiency, safety, and durability.

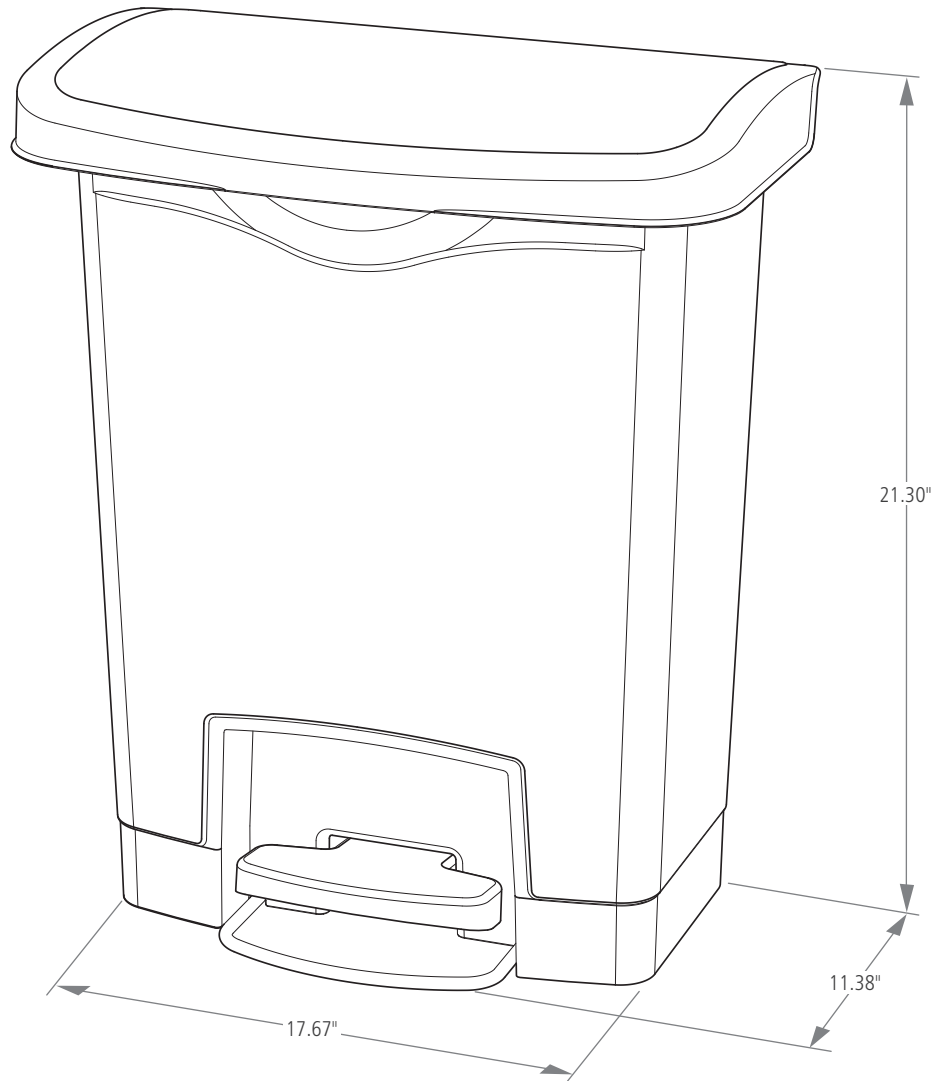
Features and Benefits:

- Available in Front Step in 5 different sizes and 7 different colors.
- Internal hinge design prevents the back of the lid from hitting the wall and causing damage.
- Quiet and controlled lid closure minimizes noise to enhance guest satisfaction.
- Liner retainer band and cinch easily and securely holds polyliners in place.
- Increased foot pedal clearance for easier access and operation.

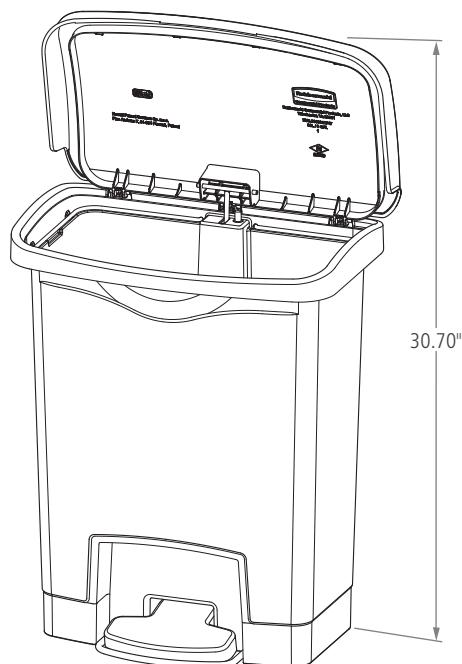


OSHA OBRA

STREAMLINE™ STEP-ON CONTAINERS



30L/8-Gallon Resin Front Step



STREAMLINE™ STEP-ON CONTAINERS

SKU #	DESCRIPTION	COLOR	CAPACITY L / GAL	LENGTH IN	WIDTH IN	HEIGHT IN	HEIGHT WITH	WEIGHT LB	PACK SIZE
							LID OPEN IN		UNIT
1883455	RESIN FRONT STEP	BEIGE	15L/4G	14.83	9.07	15.70	22.90	4.70	1
1883554	RESIN FRONT STEP	WHITE	15L/4G	14.83	9.07	15.70	22.90	4.70	1
1883563	RESIN FRONT STEP	RED	15L/4G	14.83	9.07	15.70	22.90	4.70	1
1883608	RESIN FRONT STEP	BLACK	15L/4G	14.83	9.07	15.70	22.90	4.70	1
1883456	RESIN FRONT STEP	BEIGE	30L/8G	17.67	11.38	21.30	30.70	6.00	1
1883555	RESIN FRONT STEP	WHITE	30L/8G	17.67	11.38	21.30	30.70	6.00	1
1883564	RESIN FRONT STEP	RED	30L/8G	17.67	11.38	21.30	30.70	6.00	1
1883600	RESIN FRONT STEP	GRAY	30L/8G	17.67	11.38	21.30	30.70	6.00	1
1883609	RESIN FRONT STEP	BLACK	30L/8G	17.67	11.38	21.30	30.70	6.00	1
1883458	RESIN FRONT STEP	BEIGE	50L/13G	18.91	12.11	28.50	38.70	8.50	1
1883557	RESIN FRONT STEP	WHITE	50L/13G	18.91	12.11	28.50	38.70	8.50	1
1883566	RESIN FRONT STEP	RED	50L/13G	18.91	12.11	28.50	38.70	8.50	1
1883575	RESIN FRONT STEP	YELLOW	50L/13G	18.91	12.11	28.50	38.70	8.50	1
1883593	RESIN FRONT STEP	BLUE	50L/13G	18.91	12.11	28.50	38.70	8.50	1
1883602	RESIN FRONT STEP	GRAY	50L/13G	18.91	12.11	28.50	38.70	8.50	1
1883611	RESIN FRONT STEP	BLACK	50L/13G	18.91	12.11	28.50	38.70	8.50	1
1883460	RESIN FRONT STEP	BEIGE	68L/18G	20.58	13.05	31.80	42.70	11.50	1
1883559	RESIN FRONT STEP	WHITE	68L/18G	20.58	13.05	31.80	42.70	11.50	1
1883568	RESIN FRONT STEP	RED	68L/18G	20.58	13.05	31.80	42.70	11.50	1
1883604	RESIN FRONT STEP	GRAY	68L/18G	20.58	13.05	31.80	42.70	11.50	1
1883613	RESIN FRONT STEP	BLACK	68L/18G	20.58	13.05	31.80	42.70	11.50	1
1883552	RESIN FRONT STEP	BEIGE	90L/24G	23.38	13.97	32.70	44.70	13.50	1
1883561	RESIN FRONT STEP	WHITE	90L/24G	23.38	13.97	32.70	44.70	13.50	1
1883570	RESIN FRONT STEP	RED	90L/24G	23.38	13.97	32.70	44.70	13.50	1
1883579	RESIN FRONT STEP	YELLOW	90L/24G	23.38	13.97	32.70	44.70	13.50	1
1883597	RESIN FRONT STEP	BLUE	90L/24G	23.38	13.97	32.70	44.70	13.50	1
1883606	RESIN FRONT STEP	GRAY	90L/24G	23.38	13.97	32.70	44.70	13.50	1
1883615	RESIN FRONT STEP	BLACK	90L/24G	23.38	13.97	32.70	44.70	13.50	1
1883617	RIGID LINER FOR RESIN FRONT STEP	BLACK	15L/4G	12.81	7.44	12.75	–	1.60	1
1883618	RIGID LINER FOR RESIN FRONT STEP	BLACK	30L/8G	14.81	9.06	18.13	–	2.80	1
1883619	RIGID LINER FOR RESIN FRONT STEP	BLACK	50L/13G	15.81	9.81	25.44	–	4.40	1
1883620	RIGID LINER FOR RESIN FRONT STEP	BLACK	68L/18G	17.75	10.19	28.25	–	5.40	1
1883621	RIGID LINER FOR RESIN FRONT STEP	BLACK	90L/24G	20.31	11.81	29.25	–	6.20	1
1883629	DUAL LINER SET FOR RESIN FRONT STEP	BLACK/BLUE	90L/24G	20.31	11.81	29.50	–	7.80	1

