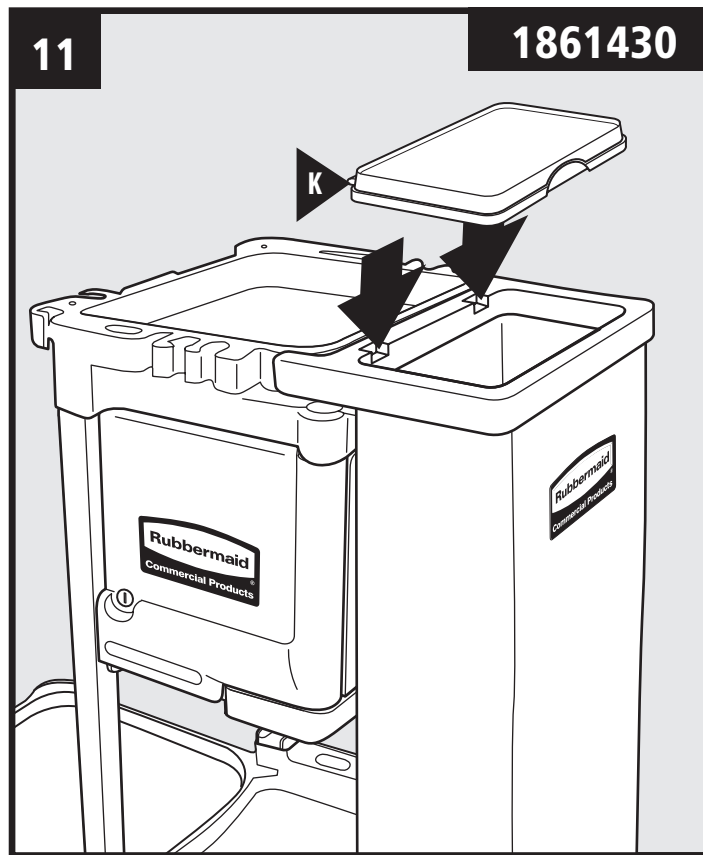
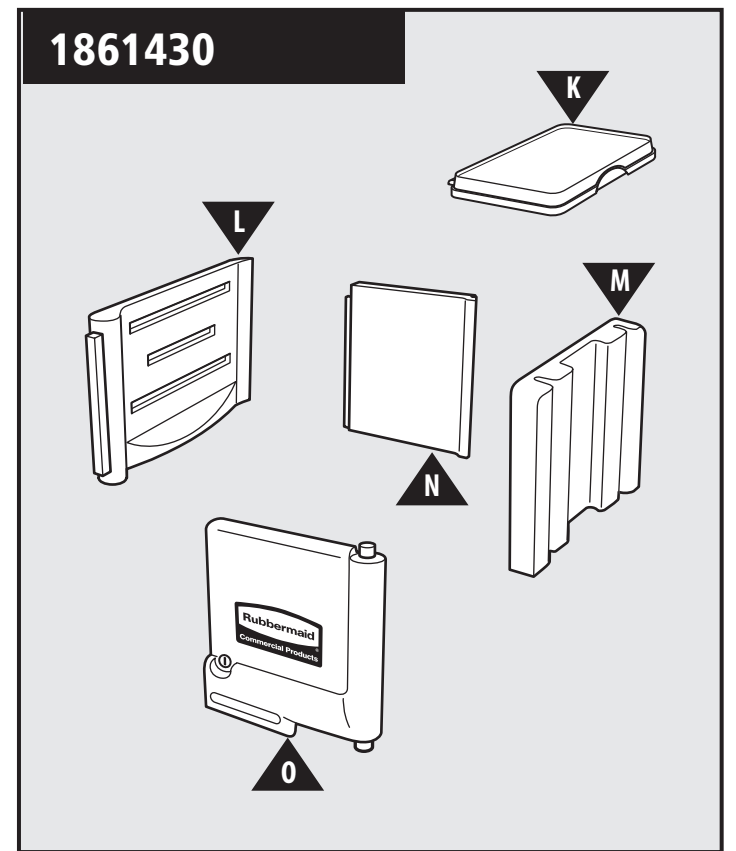
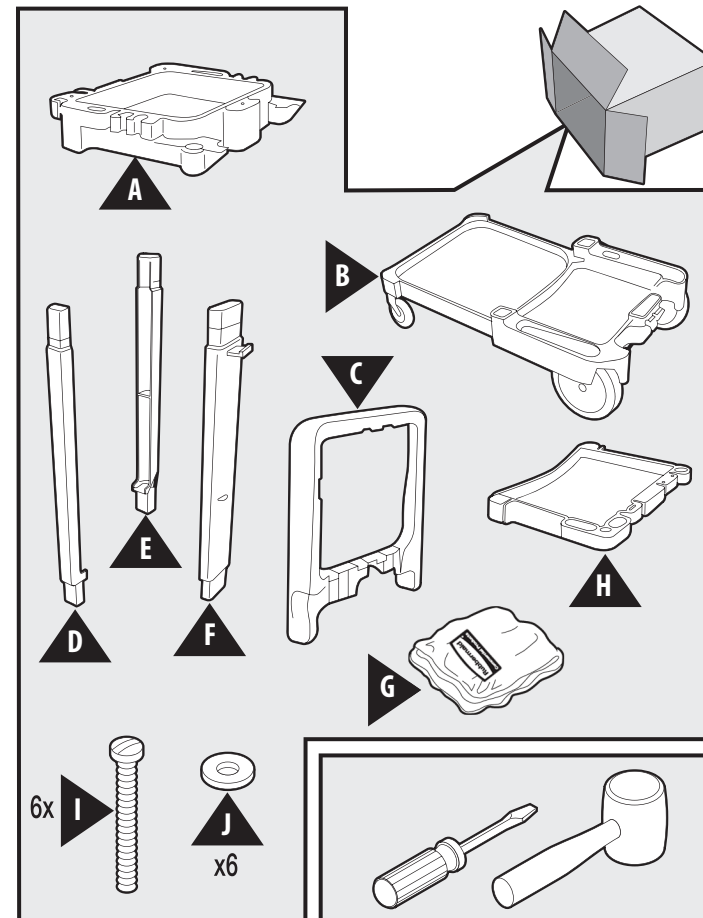


FG617388

1861430



1861430



Products manufactured under quality management system registered to ISO 9001:2008 © 2013 Rubbermaid Commercial Products LLC Product # FG617388 & 1861430



Rubbermaid Commercial Products LLC
3124 Valley Avenue
Winchester, VA 22601 U.S.A.
Phone: 1-800-347-9800
www.rubbermaidcommercial.com 1877583
#7061388

