



Technical Data Sheet

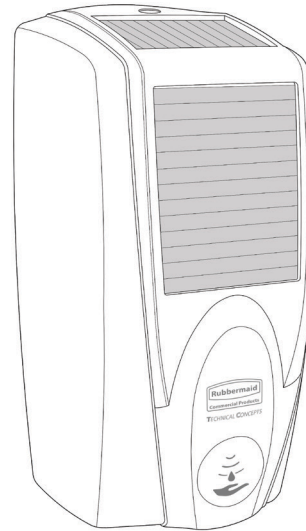
With New Lighting Technology

AutoFoam with LumeCel™ Technology offers an effective skin care system that is now more efficient and alkaline battery free.

Features and Benefits:

- LumeCel's™ rechargeable energy cells are made from nickel metal hydride technology. Highly efficient, LumeCel™ stores energy from light, providing it's own internal energy source. Easy to use, ready for use, right out of the box.
- Saves time and money by eliminating the need to purchase, store, replace and dispose of alkaline batteries.
- LUX Detector: two modes make installation easy. Install Mode detects and confirms room lighting. Run Mode keeps your dispenser running efficiently.
- Converting your existing AutoFoam System to utilize LumeCel™ technology is possible by removing the existing AutoFoam front cover and batteries, and replacing with a new LumeCel™ retrofit cover and the LumeCel™ rechargeable energy cell. The retrofit cover includes a new AutoFoam cover with solar panels, a new pouch holder, a new LUX Detector, and the LumeCel™ rechargeable energy cell.
- Available in 5 different colors.

AUTOFOAM TOUCH-FREE DISPENSING SYSTEM POWERED BY LIGHT






LumeCel™
TECHNOLOGY



3-Year Limited Warranty

See rubbermaidcommercial.com for details.

Certifications:

-  The universal recycling symbol is an internationally recognized symbol used to designate recyclable materials.
-  The CE mark is the manufacturer's declaration that the product meets the requirements of the applicable CE directives.
-  Directive on Waste Electrical and Electronic Equipment (WEEE). The WEEE symbol, indicates a separate collection for WEEE - Waste of electrical and electronic equipment, consists of the crossed-out wheeled bin, as shown.

AutoFoam Skin Care Dispensers and Retrofit Cover

No.	Description	U.S. Dimensions	U.S. Ship Wt/Case	Metric Dimensions	Metric Ship Wt/Case	Case Pack
1980826	AutoFoam Dispenser with LumeCel™ Technology - Black/Chrome	5.51" l x 5.51" w x 11.22" h	33.60 lb	14.0 cm x 14.0 cm x 28.5 cm	15.24 kg	10
1980827	AutoFoam Dispenser with LumeCel™ Technology - Black/Grey Pearl	5.51" l x 5.51" w x 11.22" h	33.60 lb	14.0 cm x 14.0 cm x 28.5 cm	15.24 kg	10
1980828	AutoFoam Dispenser with LumeCel™ Technology - White/Grey Pearl	5.51" l x 5.51" w x 11.22" h	33.60 lb	14.0 cm x 14.0 cm x 28.5 cm	15.24 kg	10
1980829	AutoFoam Dispenser with LumeCel™ Technology - Black/Black Pearl	5.51" l x 5.51" w x 11.22" h	33.60 lb	14.0 cm x 14.0 cm x 28.5 cm	15.24 kg	10
1980831	AutoFoam Dispenser with LumeCel™ Technology - White/Black Pearl	5.51" l x 5.51" w x 11.22" h	33.60 lb	14.0 cm x 14.0 cm x 28.5 cm	15.24 kg	10
1980787	AutoFoam Dispenser Retrofit Cover with LumeCel™ Technology - Black/Chrome*	5.51" l x 5.51" w x 11.22" h	23.60 lb	14.0 cm x 14.0 cm x 28.5 cm	10.71 kg	10

*The retrofit cover includes a new AutoFoam cover with solar panels, a new pouch holder, a new LUX Detector, and the LumeCel™ rechargeable energy cell.

Foam Hand Wash

No.	Description	Size	U.S. Ship Wt/Case	U.S. Case Cube	Metric Ship Wt/Case	Metric Case Cube	Case Pack
FG750112	Enriched Foam Hand Soap with Moisturizers	1100 mL	10.9 lb	0.031 ft3	4.9 kg	0.01 m3	4
FG750111	Enriched Foam Antibacterial Hand Soap - NSF E2 Rated	1100 mL	10.9 lb	0.031 ft3	4.9 kg	0.01 m3	4

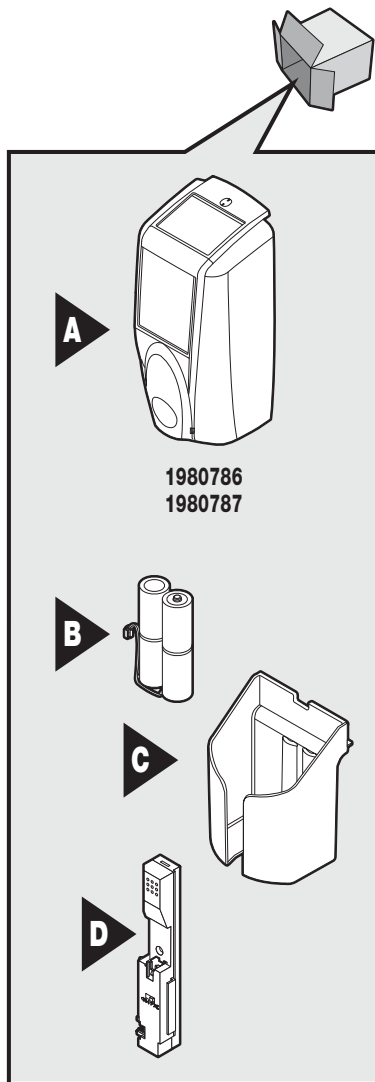
Foam Hand Sanitizer

No.	Description	Size	U.S. Ship Wt/Case	U.S. Case Cube	Metric Ship Wt/Case	Metric Case Cube	Case Pack
FG750591	Enriched Foam Alcohol Hand Sanitizer - NSF E3 Rated	1100 mL	10.9 lb	0.031 ft3	4.9 kg	0.01 m3	4
FG750593	Enriched Foam Alcohol-Free Hand Sanitizer	1100 mL	10.9 lb	0.031 ft3	4.9 kg	0.01 m3	4

Technical Data Sheet

AUTOFOAM GOING FROM OLD TO NEW

Retrofitting current dispenser:

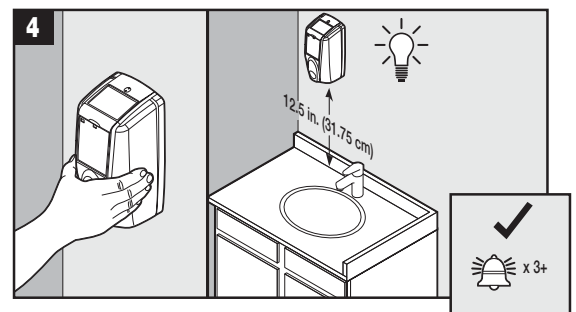


Note: Product availability varies by region

Remarque : la disponibilité des produits varie selon les régions

Nota: la disponibilidad de los productos depende de la región.

WHERE TO INSTALL



LUX Detector Installation Requirement:
3 consecutive beeps, pause and repeat.

IDEAL ENVIRONMENTS

Works well in all washrooms with the proper lighting levels, but especially recommended for use in:

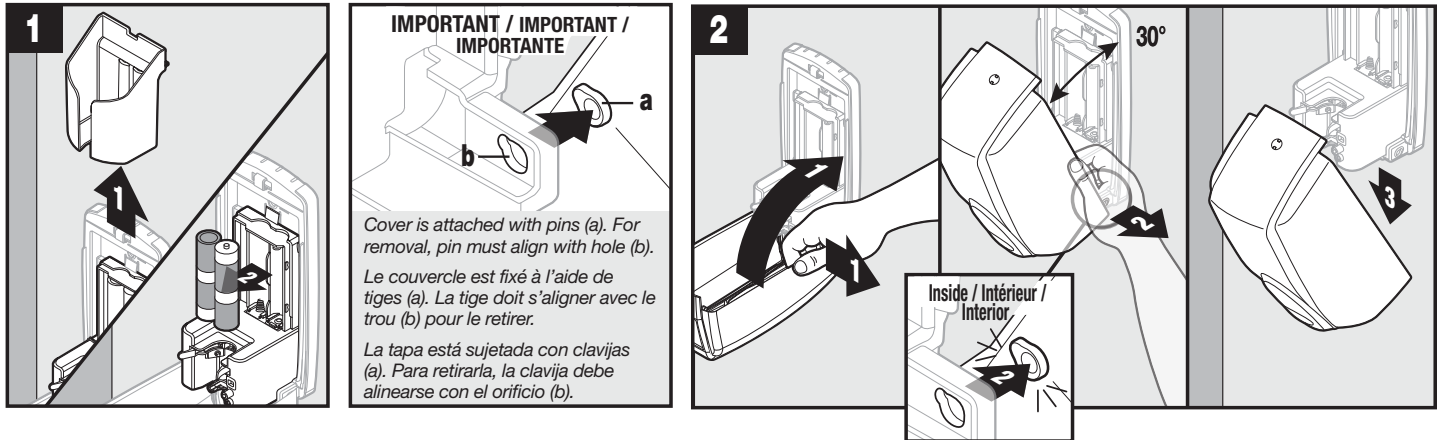
- Property Management
- Hospitality
- Healthcare
- Institution

Other suggested environments include:

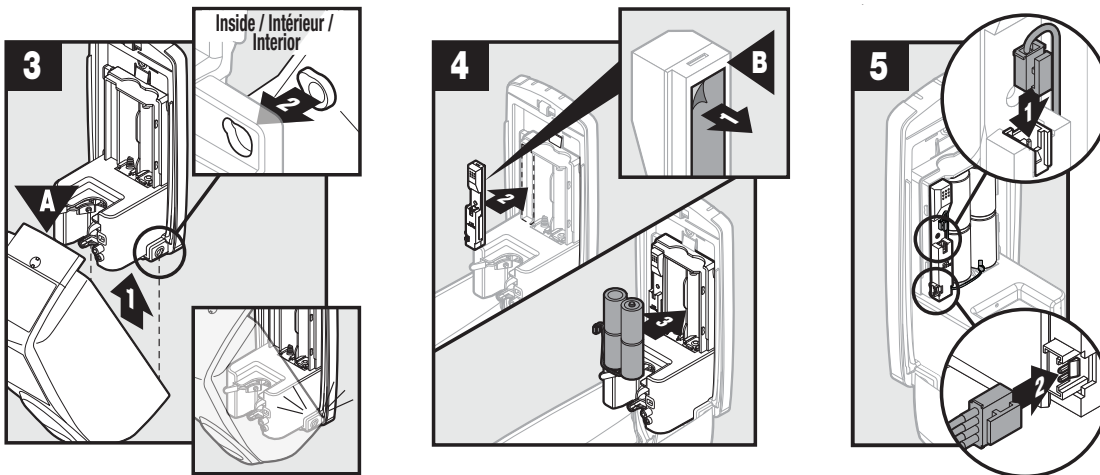
- Entertainment
- Transportation
- Retail
- Foodservice
- Manufacturing

Technical Data Sheet

RETROFIT INSTRUCTIONS



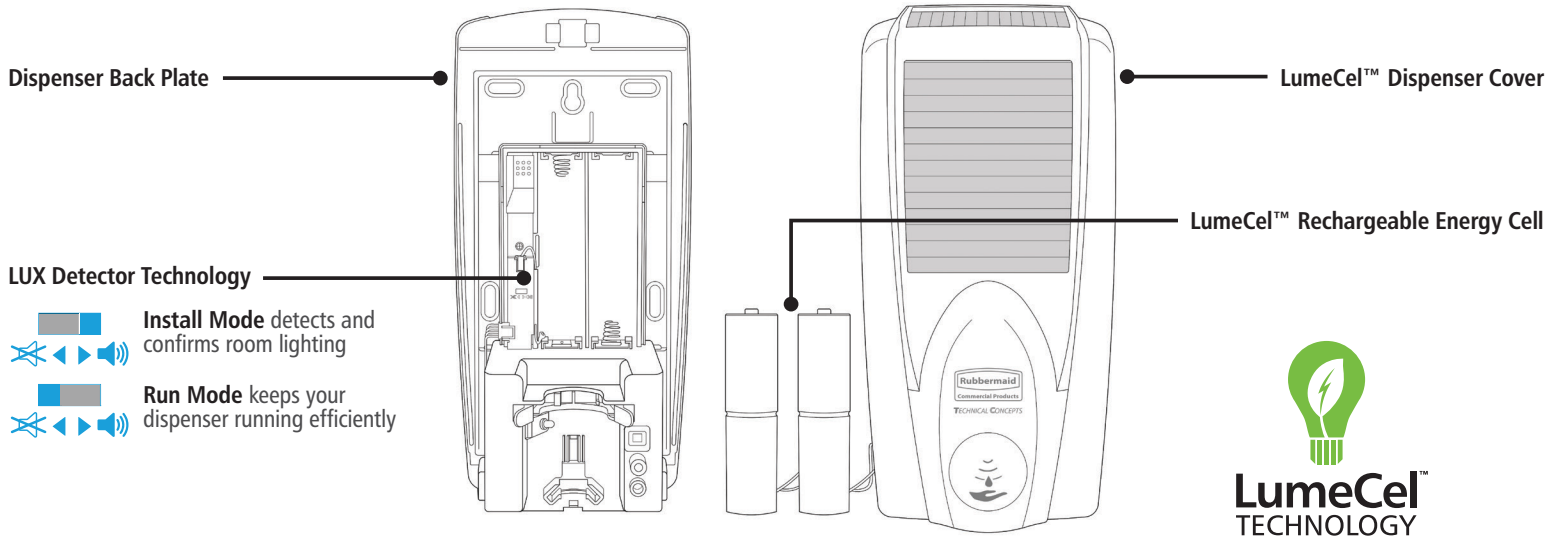
- 1) **Simultaneously** pull out side of cover and rotate up until 2) notched pin pops out of hole.
 1) Retirez **simultanément** le côté du couvercle et faites-le pivoter jusqu'à ce que 2) la tige sorte du trou.
 1) **Simultáneamente** tire de un lado de la tapa y gire hacia arriba hasta que 2) la clavija dentada salga del orificio.



- 6) Flip Lux Detector switch right to "Install Mode" to measure lighting.
 6) Remettre le commutateur du détecteur de luminescence au « Mode installation » pour mesurer le degré de luminescence.
 6) Voltee el interruptor del detector de lux hacia la derecha para colocarlo en el modo "Instalación" y medir la iluminación.
- 7a) If 3 beeps or more are heard, flip the switch left back to "Run Mode" and continue to "Refill Installation".
 7a) Si 3 bips et plus sont entendus, remettre le commutateur à « Mode fonctionnement » et continuer vers « Installation de la recharge ».
 7a) Si escucha 3 pitidos o más, vuelva a colocar el interruptor hacia la izquierda en el modo "Ejecución" y pase a "Instalación para recambio".

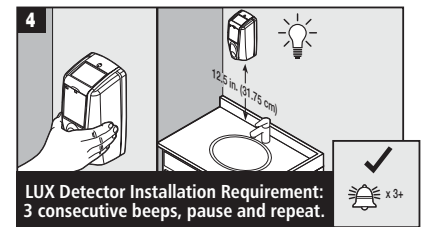
- 7b) If 3 beeps or more are not heard, remounting is necessary in an area with more light. Begin at step 4 of "Preparation" section and then complete the "Screw Mount" and "Refill Installation" sections.
 7b) Si 3 bips ou plus sont entendus, il est nécessaire de réinstaller celui-ci dans un endroit plus éclairé. Commencez à l'étape 4 de la section « Préparation », puis complétez les sections « Fixation » et « Installation de la recharge ».
- 7b) Si no escucha 3 pitidos o más, deberá volver a montarse el dispositivo en una zona más iluminada. Comience por el paso 4 de la sección "Preparación" y, a continuación, lleve a cabo las secciones "Soporte de tornillos" e "Instalación para recambio".

LUX Detector Technology



How to use the LUX Detector:

- The LUX Detector measures the amount of light available in a washroom and indicates if there is enough light energy to be stored in the LumeCel™ rechargeable energy cells that power the unit.
- When placed in Install Mode, the LUX Detector will beep to indicate available light energy. The minimum requirement for this unit is **3 consecutive beeps**.
- If 3 beeps or more are heard, a location has been successfully determined that will allow the LumeCel™ System to receive an optimal amount of light energy. Switch the device back to **Run Mode** to keep your dispenser running efficiently.



Lighting Chart Usage Information:

Shown below are three charts that a typical end user would experience in refills per year at various lighting levels. Within each scenario, look at a combination of the refills per year, LUX level and light per week. The chart will then tell you how many years your dispenser will last under "Cell Life."

Determine Lighting Information Based on Number of Refills or Shots per Year:

4 Refills/Year

11,000 Shots/Year

Dispenser Beeps	LUX Level	Light/Week (hrs.)	Cell Life
3	300	52	10
3	300	42	7
3	300	29	5
4	400	39	10
4	400	32	7
4	400	22	5
5	500	32	10
5	500	26	7
5	500	18	5

5 Refills/Year

13,750 Shots/Year

Dispenser Beeps	LUX Level	Light/Week (hrs.)	Cell Life
3	300	66	10
3	300	56	7
3	300	43	5
4	400	50	10
4	400	42	7
4	400	32	5
5	500	40	10
5	500	34	7
5	500	26	5

6 Refills/Year

16,500 Shots/Year

Dispenser Beeps	LUX Level	Light/Week (hrs.)	Cell Life
3	300	80	10
3	300	70	7
3	300	57	5
4	400	60	10
4	400	53	7
4	400	43	5
5	500	48	10
5	500	42	7
5	500	34	5

*LUX level corresponds to beeps

1/18 | RCP1160
©2018 Rubbermaid Commercial Products LLC
3124 Valley Avenue, Winchester, VA 22601

To see our complete range of product solutions visit our online catalog at rubbermaidcommercial.com

