



SlimJim

A variety of dolly options for Slim Jim® containers allow for more efficient collection and transport of waste and recyclables, increasing worker productivity.

Features and Benefits:

STAINLESS STEEL DOLLIES

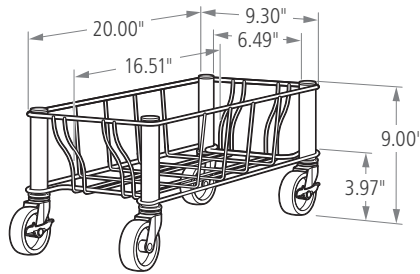
- Collect and transport up to four streams of waste and recyclables with the new stainless steel multi-dollies for Slim Jim® containers
- Constructed of quality stainless steel material that is easy to clean and won't rust or chip in commercial environments
- Features 3" nonmarking quiet casters that allow for smooth and quiet maneuverability
- Locking feature on casters creates a stable recycling station or collection site
- Fits both 16- and 23-gallon Slim Jim® containers

Material Composition:

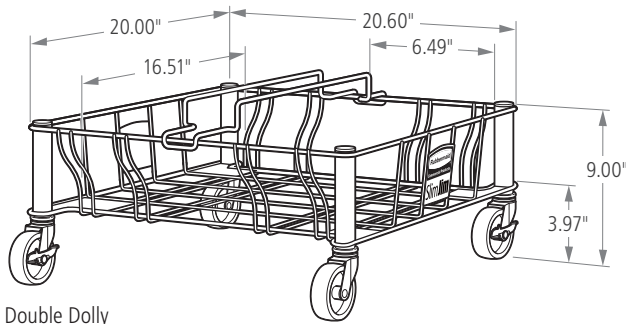
STAINLESS STEEL DOLLIES

- High-quality stainless steel

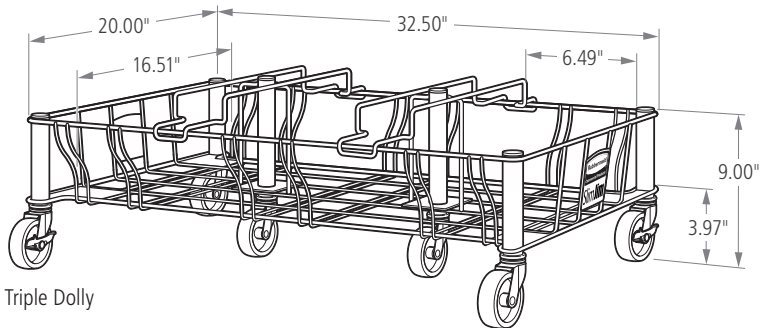
DOLLIES FOR SLIM JIM® CONTAINERS



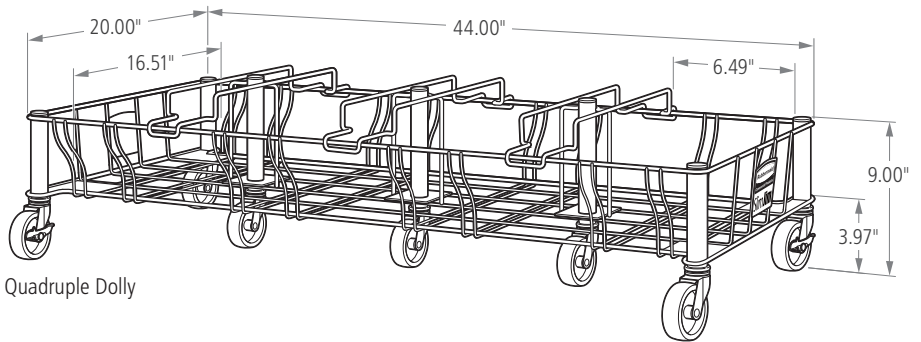
Single Dolly



Double Dolly



Triple Dolly



Quadruple Dolly

DOLLY SPECIFICATIONS

SKU #	DESCRIPTION	CAPACITY		LENGTH		WIDTH		HEIGHT		PACK SIZE	HEIGHT OFF GROUND			
		LBS	KG	IN	CM	IN	CM	IN	CM		IN	CM	IN	CM
1968468	STAINLESS STEEL SINGLE DOLLY	80	36	20"	50.80	9.30"	23.62	9"	22.86	2	28.80"	72.30	33.90"	86.20
1956191	STAINLESS STEEL DOUBLE DOLLY	160	73	20"	50.80	20.60"	52.32	9"	22.86	1	28.80"	72.30	33.90"	86.20
1956192	STAINLESS STEEL TRIPLE DOLLY	240	109	20"	50.80	32.50"	82.55	9"	22.86	1	28.80"	72.30	33.90"	86.20
1956193	STAINLESS STEEL QUADRUPLE DOLLY	320	145	20"	50.80	44.00"	111.76	9"	22.86	1	28.80"	72.30	33.90"	86.20



SlimJim

The trainable dolly for Slim Jim® containers allows for more efficient collection and transport of waste and recyclables, increasing worker productivity.

Features and Benefits:

TRAINABLE DOLLY

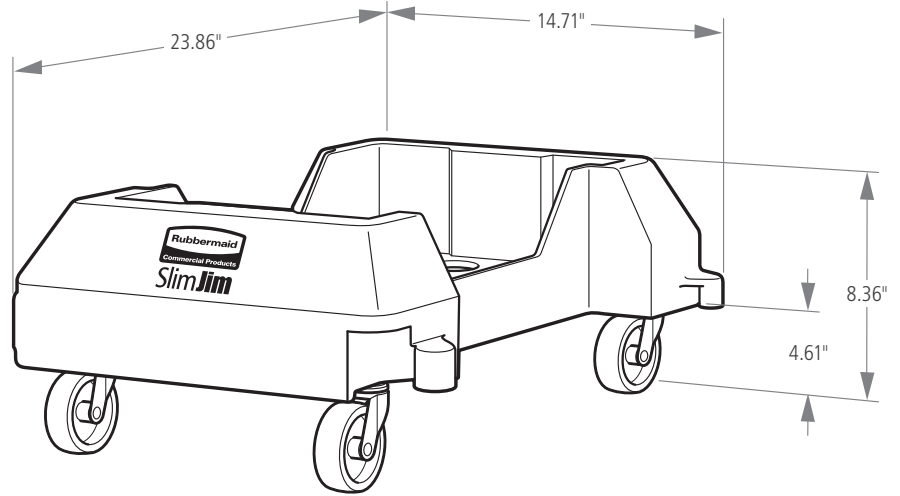
- Features a side clip-on connection that allows you to train several dollies together for collection and transportation purposes
- Foot pedal release makes disconnecting dollies quick and easy
- Structural foam construction ensures maximum durability in commercial environments
- Fits both 16- and 23-gallon Slim Jim® containers

Material Composition:

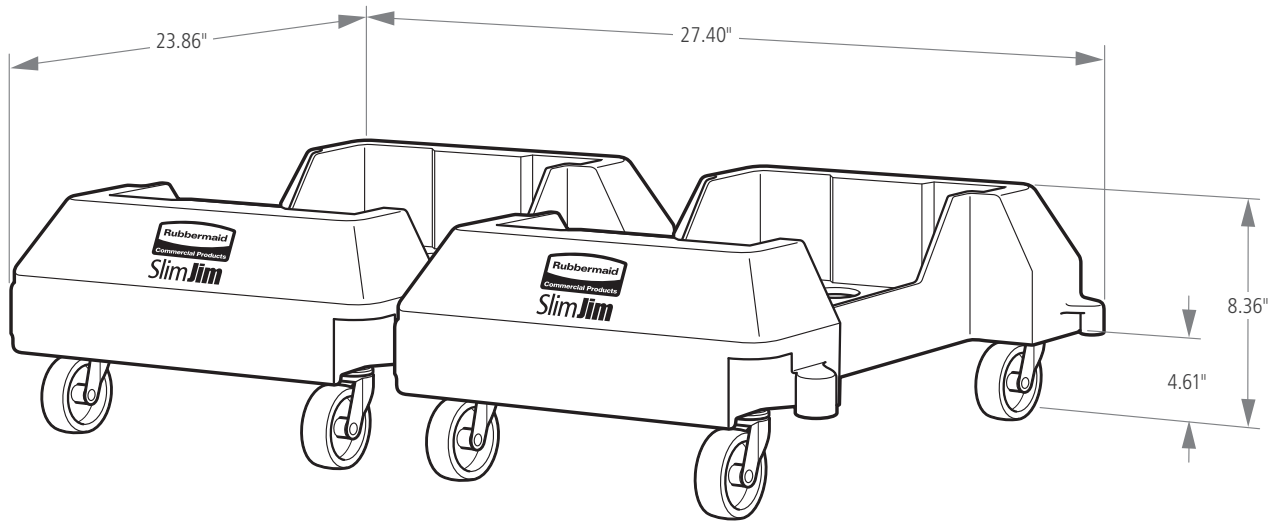
TRAINABLE DOLLY

- Structural foam resin material

DOLLIES FOR SLIM JIM® CONTAINERS



Resin Trainable Dolly



DOLLY SPECIFICATIONS

SKU #	DESCRIPTION	CAPACITY		LENGTH		WIDTH		HEIGHT		WIDTH OF 2 DOLLIES TRAINED	PACK SIZE	HEIGHT OFF GROUND				
		LBS	KG	IN	CM	IN	CM	IN	CM			IN	CM	IN	CM	
1980602	RESIN TRAINABLE DOLLY	120	54	23.86"	60.59	14.71"	37.36	8.36"	21.25	27.40"	69.61	1	29.54"	75.02	34.61"	87.92

162708 | 123456

©2016 Rubbermaid Commercial Products LLC
8900 Northpointe Executive Park Drive, Huntersville, NC 28078

