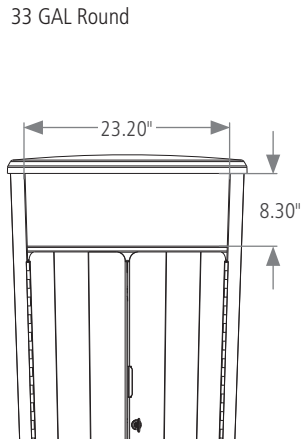
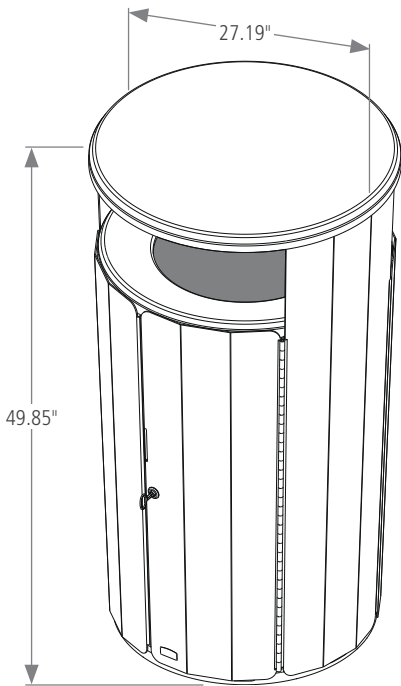
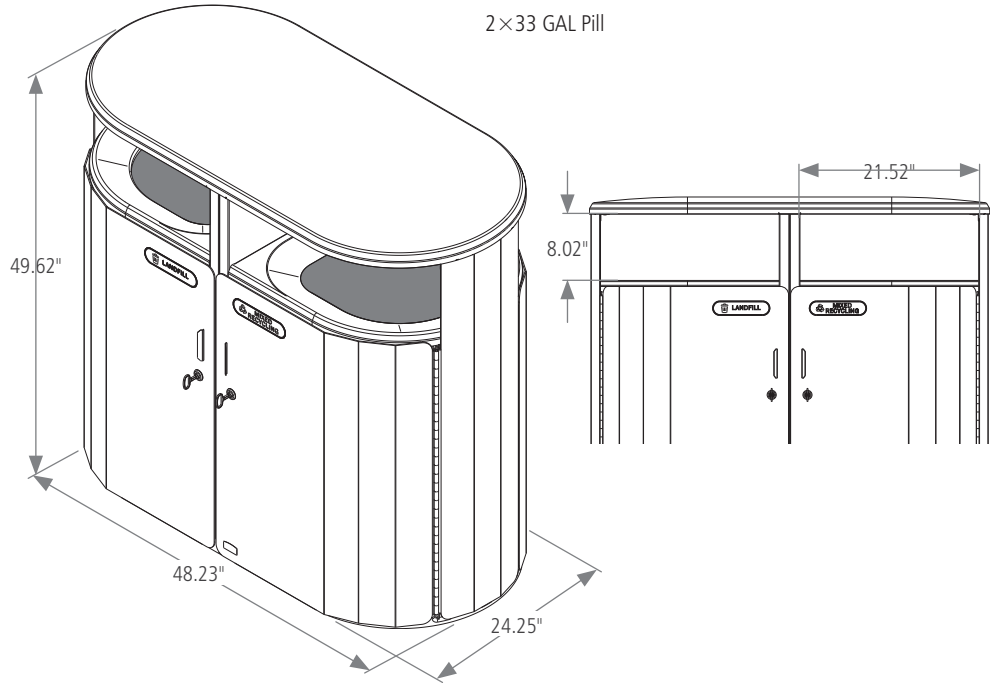




# RESIST™

## Features and Benefits:

- Built for the toughest environments and can sustain up to 500 lb of blunt force.
- Advanced coating defends against stains, graffiti, corrosion and UV fading.



## RESIST™

SKU #	DESCRIPTION	COLOR	CAPACITY	LENGTH	WIDTH	HEIGHT
			GAL	IN	IN	IN
2185041	33G ROUND	TEXTURED BLACK/BLACK GLOSS	33	27.19	27.19	49.85
2184979	45G ROUND	TEXTURED BLACK/BLACK GLOSS	45	29.16	29.16	49.94
2184980	2x23G PILL DUAL STREAM	TEXTURED BLACK/BLACK GLOSS	46	48.23	24.25	43.62
2185042	2x33G PILL DUAL STREAM	TEXTURED BLACK/BLACK GLOSS	66	48.23	24.25	49.62