



SlimJim

Slim Jim® Tool Clips can be arranged in hundreds of different configurations for adaptable onboard storage. The clips easily attach onto the rim of any Slim Jim® container or the tool rails of the Slim Jim® Rim Caddy.

Features and Benefits:

- Slim Jim® Stick Clip: Ideal for storing and transporting brooms, dustpans, flat mops, and other long-handled tools
- Slim Jim® Wide Hook: Ideal for storing and transporting safety signs, linen bags, and microfiber cloths
- Slim Jim® Peg Hook: Ideal for storing and transporting dusters, scrub brushes, and other small hand tools

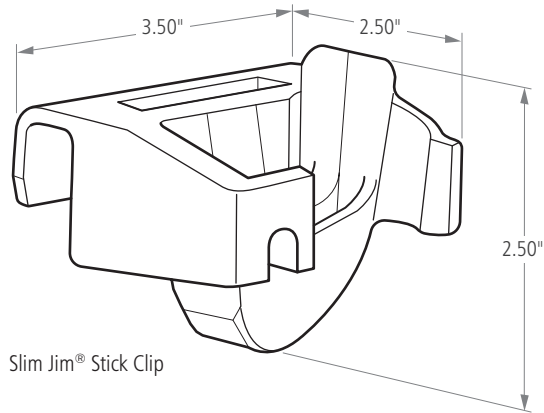
Material Composition:

- Injection-molded with high-quality resin

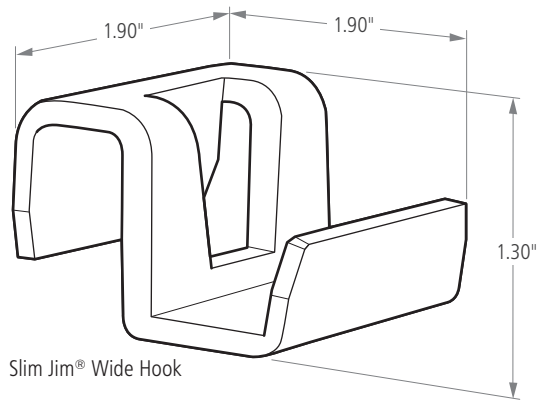
Compatibility:

- Compatible with 16-Gallon and 23-Gallon Vented Slim Jim® Containers and the Slim Jim® Rim Caddy

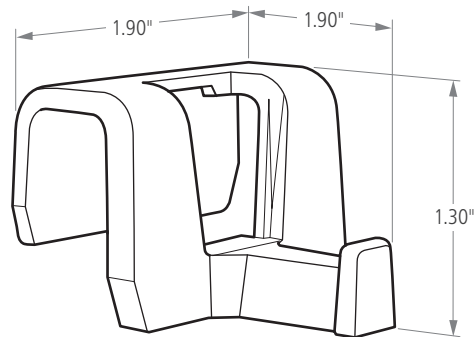
SLIM JIM® TOOL CLIPS



Slim Jim® Stick Clip



Slim Jim® Wide Hook



Slim Jim® Peg Hook

SLIM JIM® TOOL CLIPS

SKU #	DESCRIPTION	COLOR	LENGTH		WIDTH		HEIGHT		PACK SIZE
			IN	MM	IN	MM	IN	MM	
2032938	SLIM JIM® STICK CLIP (2 PACK) FOR 16- AND 23-GALLON CONTAINERS	GRAY	3.50	89.00	2.50	64.00	2.50	64.00	6
2032935	SLIM JIM® WIDE HOOK (2 PACK) FOR 16- AND 23-GALLON CONTAINERS	GRAY	1.90	48.00	1.90	48.00	1.30	33.00	6
2032937	SLIM JIM® PEG HOOK (2 PACK) FOR 16- AND 23-GALLON CONTAINERS	GRAY	1.90	48.00	1.90	48.00	1.30	33.00	6





SlimJim

The Rubbermaid PULSE™ Mop Clip conveniently fits on the Slim Jim® Rim Caddy to store and transport the Rubbermaid PULSE™ Mop.

Features and Benefits:

- The Rubbermaid PULSE™ Mop features an onboard cleaning solution reservoir for quick cleanups on the go
- The Rubbermaid PULSE™ Mop Clip and Slim Jim® Rim Caddy Stick Tool Tray securely hold the mop in place during transport

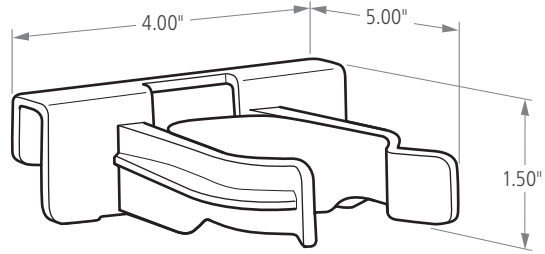
Material Composition:

- Injection-molded with high-quality resin

Compatibility:

- Compatible with the Slim Jim® Rim Caddy and Rubbermaid PULSE™ Mop

RUBBERMAID PULSE™ MOP CLIP



RUBBERMAID PULSE™ MOP CLIP

SKU #	DESCRIPTION	COLOR	LENGTH		WIDTH		HEIGHT		PACK SIZE
			IN	MM	IN	MM	IN	MM	
2034272	RUBBERMAID PULSE™ MOP CLIP FOR SLIM JIM® RIM CADDY	GRAY	4.00	102.00	5.00	127.00	1.50	38.00	6





SlimJim®

The Slim Jim® Rim Caddy Kit is a purpose-built system to store and transport common cleaning tools. It includes a Slim Jim® Rim Caddy, 23-Gallon Container, Resin Trainable Dolly, Stick Clip, Wide Hook, and Peg Hook to create a mobile cleaning and waste collection system designed for the tightest spaces.

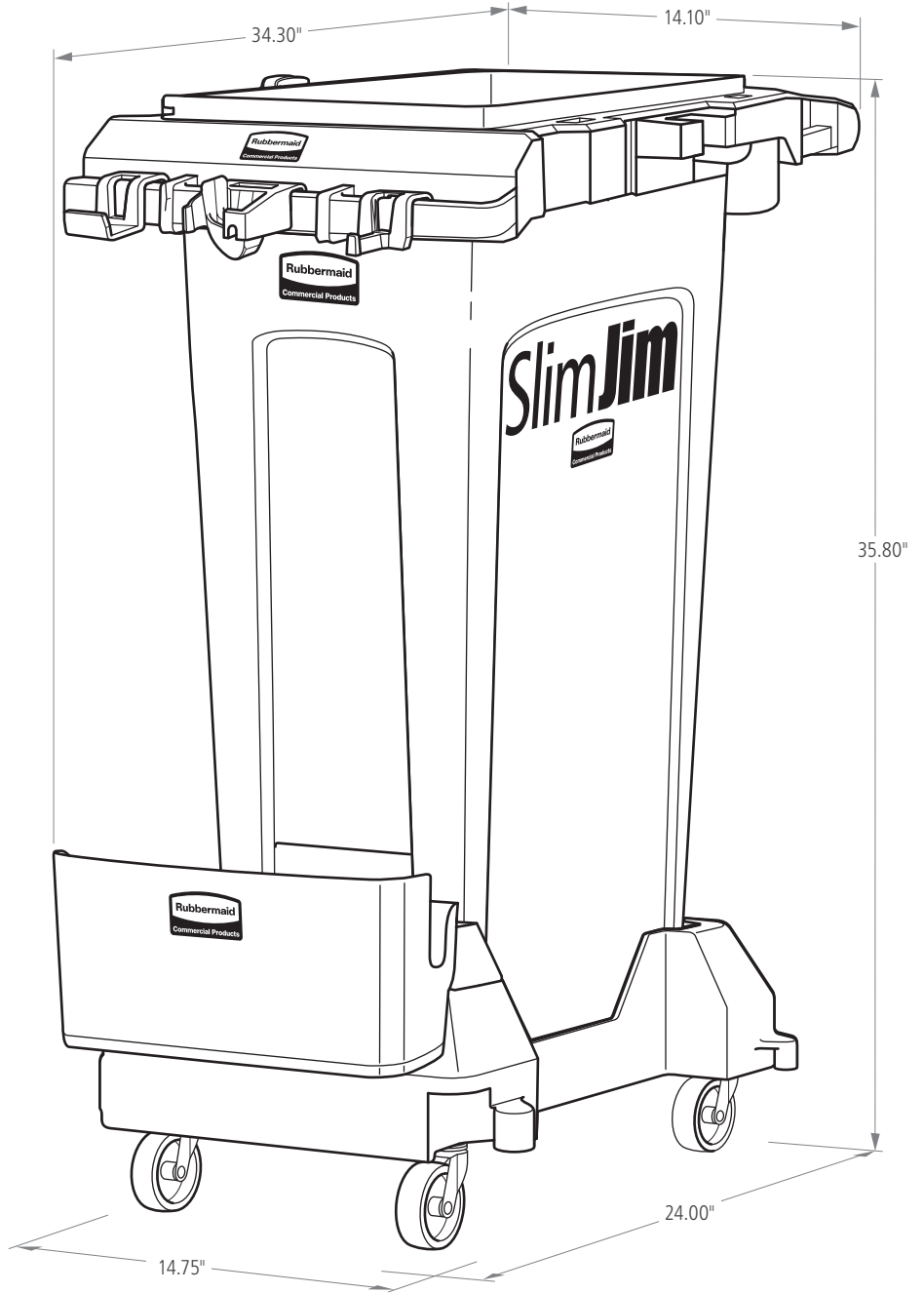
Features and Benefits:

- The Slim Jim® Rim Caddy paired with the slim profile of a Slim Jim® container allows for easy maneuvering in the tightest spaces
- Features an integrated dustpan holder, dedicated hooks to hold a safety sign, and space for storing up to three spray bottles
- Slim Jim® Tool Clips can be arranged in hundreds of different configurations on dedicated tool rails to fulfill facility-specific needs
- Ergonomic handle provides comfortable maneuverability
- Bag cinches secure liners and allow for quick, knot-free liner changes

Material Composition:

- Injection-molded with high-quality resin

SLIM JIM® RIM CADDY KIT



SLIM JIM® RIM CADDY KIT

SKU #	DESCRIPTION	COLOR	LENGTH		WIDTH		HEIGHT		PACK SIZE
			IN	MM	IN	MM	IN	MM	
2032954	SLIM JIM® RIM CADDY KIT	YELLOW	34.30	870.00	14.10	359.00	35.80	908.00	1
2032953	SLIM JIM® RIM CADDY KIT	BLACK	34.30	870.00	14.10	359.00	35.80	908.00	1





SlimJim

The Slim Jim® Rim Caddy is a purpose-built solution to store and transport common cleaning tools when collecting waste in the tightest spaces. The Slim Jim® Rim Caddy compactly holds various cleaning tools including brooms, dustpans, safety signs, spray bottles, extra can liners, and more. Rim Caddy includes stick clip, peg hook, wide hook, and a stick tool tray.

Features and Benefits:

- The Slim Jim® Rim Caddy paired with the slim profile of a Slim Jim® container allows for easy maneuvering in the tightest spaces
- Features an integrated dustpan holder, dedicated hooks to hold a safety sign, and space for storing up to three spray bottles
- Slim Jim® Tool Clips can be arranged in hundreds of different configurations on dedicated tool rails to fulfill facility-specific needs
- Ergonomic handle provides comfortable maneuverability
- Bag cinches secure liners and allow for quick, knot-free liner changes

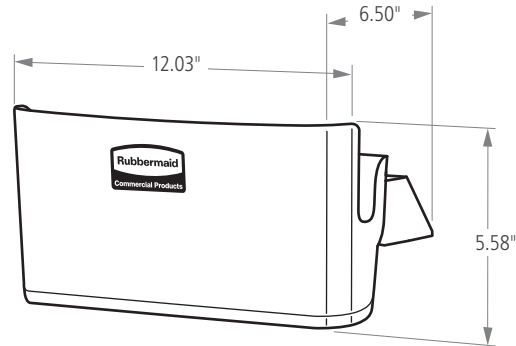
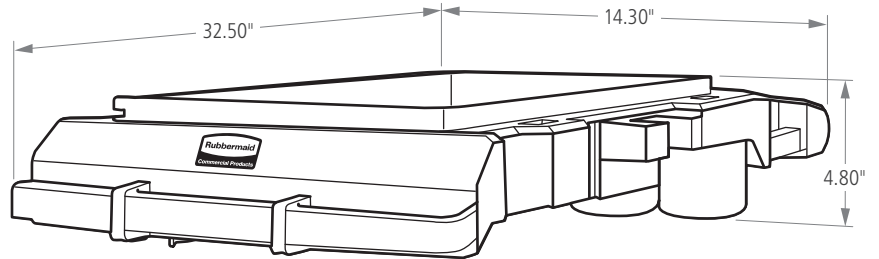
Material Composition:

- Injection-molded with high-quality resin

Compatibility:

- Compatible with 23-Gallon Vented Slim Jim® Containers

SLIM JIM® RIM CADDY



SLIM JIM® RIM CADDY

SKU #	DESCRIPTION	COLOR	LENGTH		WIDTH		HEIGHT		PACK SIZE
			IN	MM	IN	MM	IN	MM	
2032955	SLIM JIM® RIM CADDY	YELLOW	32.50	825.50	14.30	362.00	4.80	121.00	1
2032940	SLIM JIM® RIM CADDY	BLACK	32.50	825.50	14.30	362.00	4.80	121.00	1





SlimJim®

The Slim Jim® Caddy Bag maximizes space efficiency by providing onboard storage for all of the supplies needed for cleaning and liner changes on the go.

Features and Benefits:

- The Slim Jim® Caddy Bag paired with the slim profile of a Slim Jim® container allows for easy maneuvering in the tightest spaces
- Features 19 pockets to store and transport common cleaning tools for quick cleanups and mobile waste collection

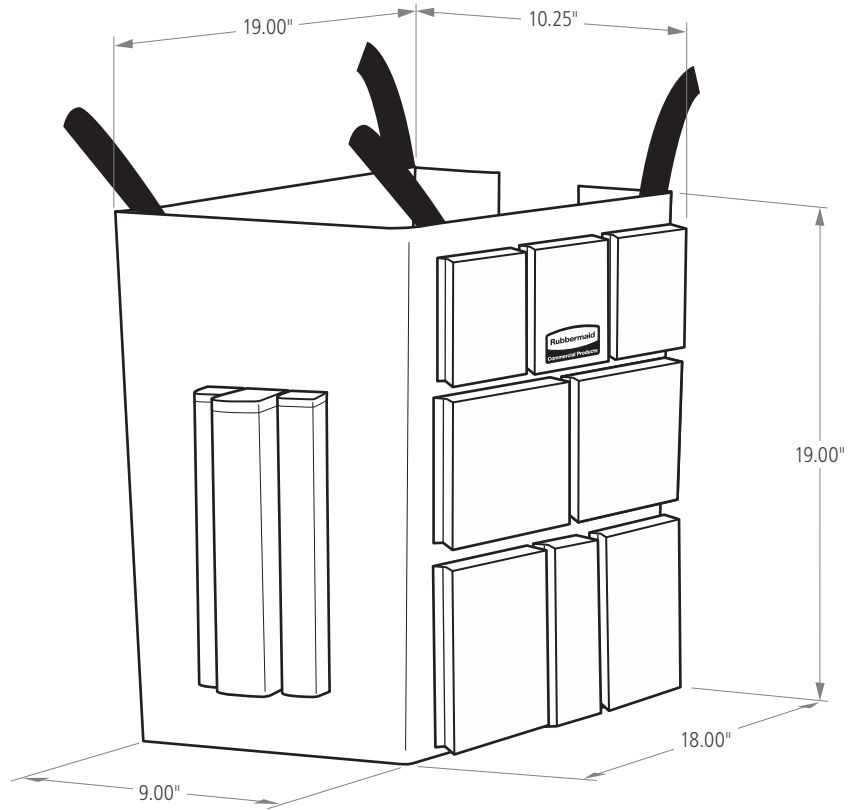
Material Composition:

- Commercial-grade vinyl

Compatibility:

- Compatible with 23-Gallon Vented Slim Jim® Containers

SLIM JIM® CADDY BAG



SLIM JIM® CADDY BAG

SKU #	DESCRIPTION	COLOR	LENGTH		WIDTH		HEIGHT		PACK SIZE
			IN	MM	IN	MM	IN	MM	
2032951	SLIM JIM® CADDY BAG	YELLOW	19.00	48.26	10.25	26.03	19.00	482.60	6
2032939	SLIM JIM® CADDY BAG	BLACK	19.00	48.26	10.25	26.03	19.00	482.60	6





SlimJim

The 2-Stream Slim Jim® Rim Caddy Kit is a purpose-built system to efficiently collect two waste streams at one time while transporting common cleaning tools. It includes two Slim Jim® Rim Caddies, one Black 23-Gallon Container, one Blue 23-Gallon Container, two Resin Trainable Dollies, two Stick Clips, two Wide Hooks, two Peg Hooks and a Connector Clip to create a mobile cleaning and waste collection system designed for the tightest spaces.

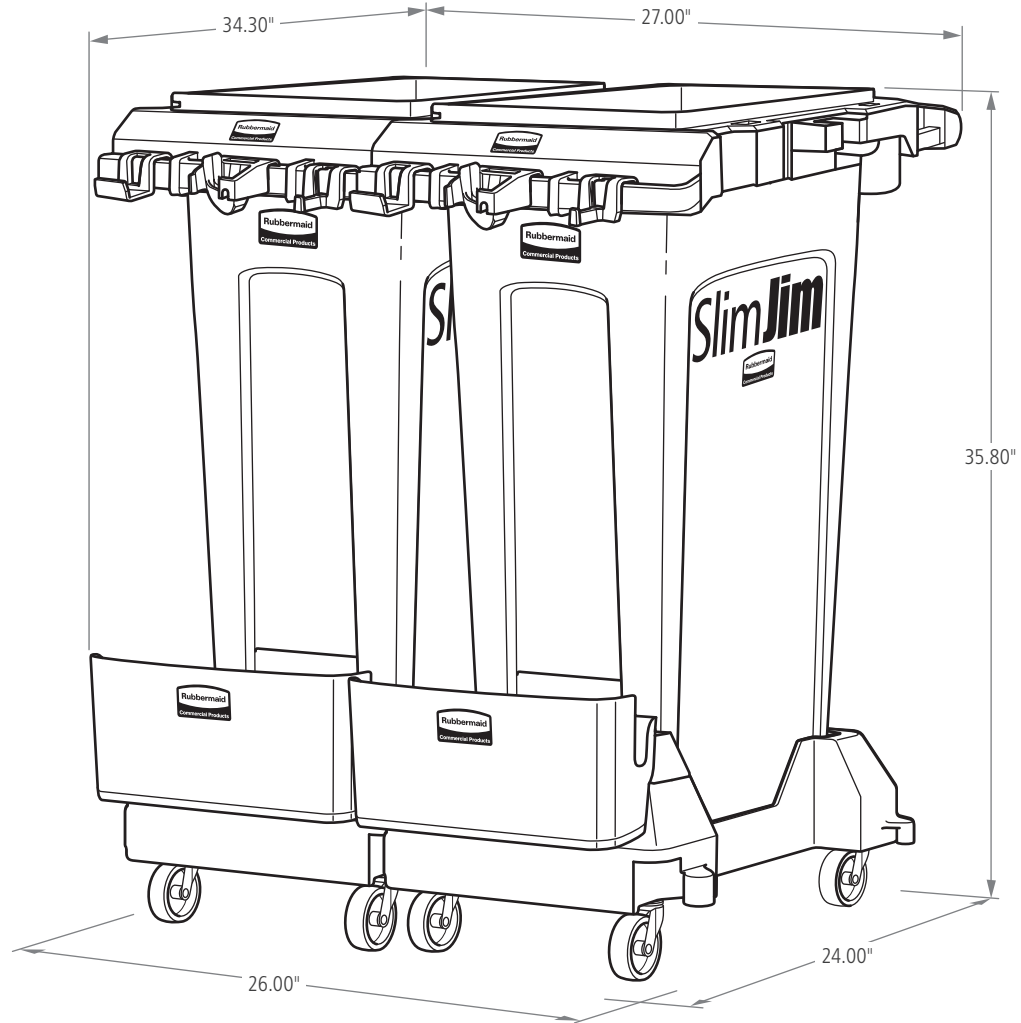
Features and Benefits:

- Features an integrated dustpan holder, dedicated hooks to hold a safety sign, and space for storing up to six spray bottles
- Slim Jim® Tool Clips can be arranged in hundreds of different configurations on dedicated tool rails to fulfill facility-specific needs
- Ergonomic handle provides comfortable maneuverability
- Bag cinches secure liners and allow for quick, knot-free liner changes

Material Composition:

- Injection-molded with high-quality resin

2-STREAM SLIM JIM® RIM CADDY KIT



2-STREAM SLIM JIM® RIM CADDY KIT

SKU #	DESCRIPTION	COLOR	LENGTH		WIDTH		HEIGHT		PACK SIZE
			IN	MM	IN	MM	IN	MM	
2032952	2-STREAM SLIM JIM® RIM CADDY KIT	YELLOW	34.30	870.00	27.00	686.00	35.80	908.00	1
2032936	2-STREAM SLIM JIM® RIM CADDY KIT	BLACK	34.30	870.00	27.00	686.00	35.80	908.00	1

