

WAVEBRAKE® BUCKET AND WRINGER WITH BUILT-IN DRAIN

With features that surpass traditional mop buckets, the new generation WaveBrake® helps to clean floors with less effort to get the job done safer, without sacrificing quality and durability.

Features and Benefits:

- Up to 80% less splashing.* Patented WaveBrake® baffles result in less splashing while mopping and maneuvering, helping to create a safer environment for patrons and staff
- WaveBrake® wringers are guaranteed to last 5 years or 200,000 cycles
- Integrated handles and sink ledge make it easy to lift and empty the mop bucket with less strain
- Pour spout helps prevent water from spilling on to floors while emptying dirty water
- Integrated wringer-guides ensure a secure connection to mop bucket, providing stability while wringing and maneuvering
- Non-marking casters will not scuff floors to keep them looking their best

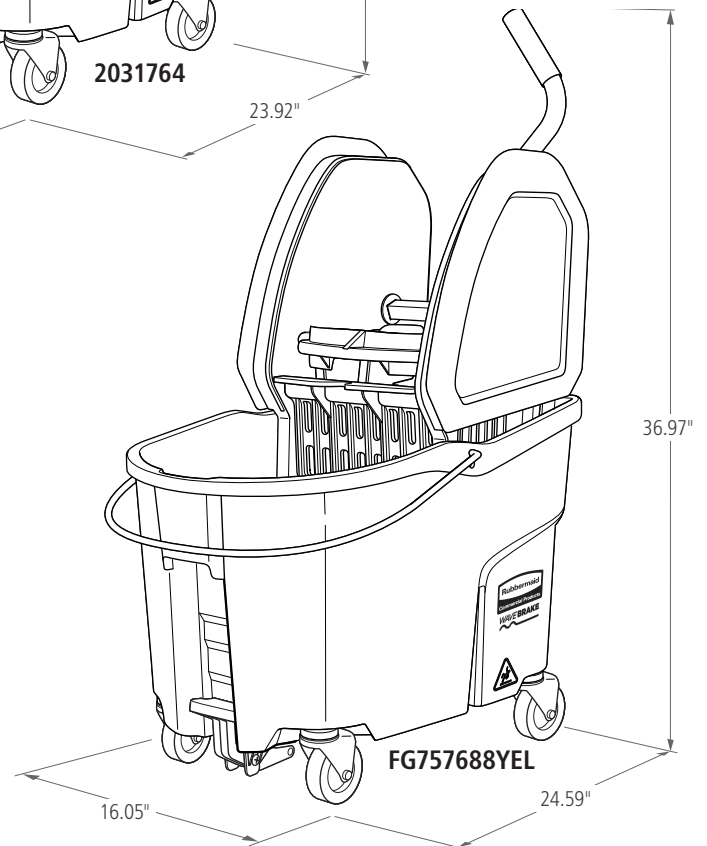
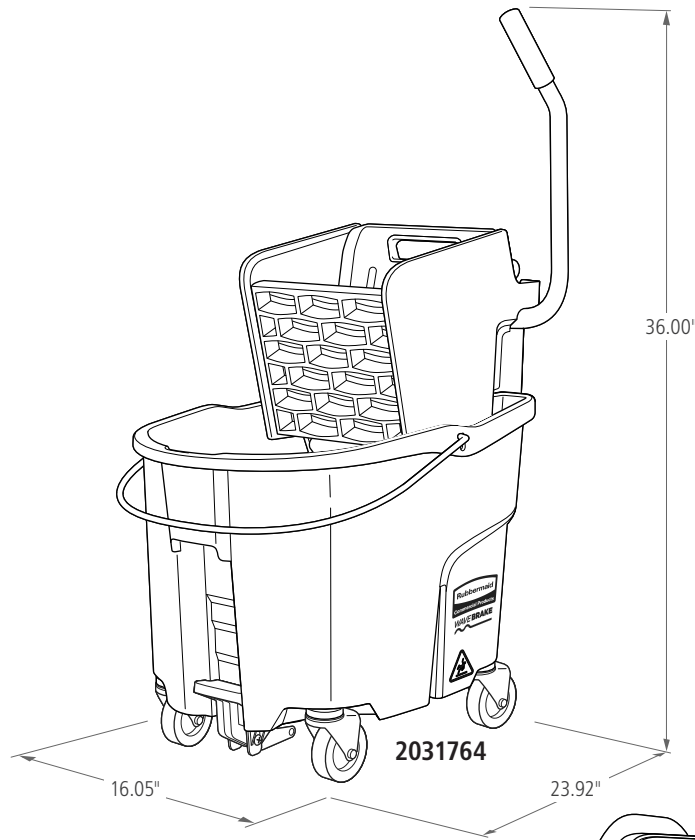
*versus competitive 35Qt U.S. single compartment mop bucket and wringer, not including divider bucket and accessories.

Colors Available:

- Yellow

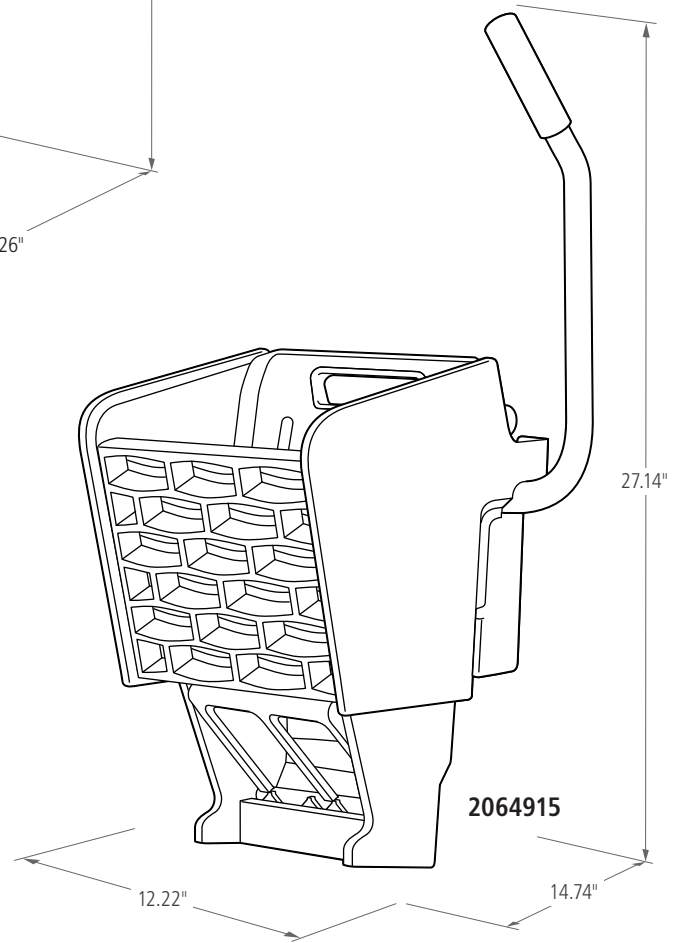
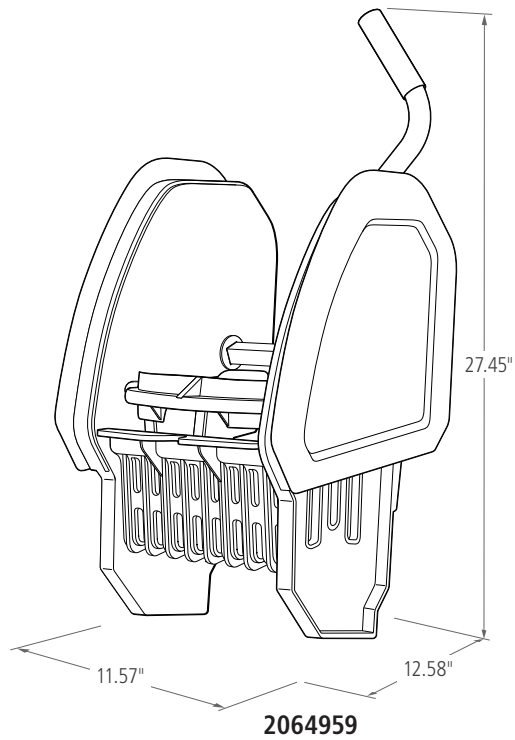
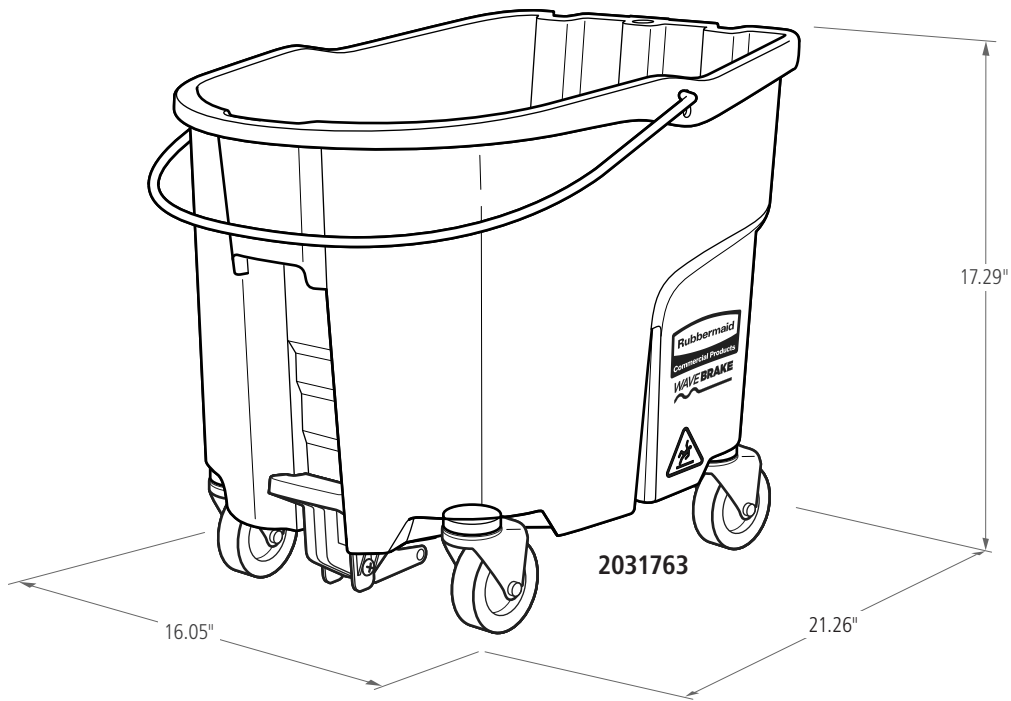
Material Composition:

- Bucket and wringer are made with structural web-molded plastic
- Wringer and bail handles are made with steel
- Back of bucket red handle is polypropylene
- Foot pedal is injection-molded acetal



Unit Packaged Dimensions

| SKU # | DESCRIPTION | COLOR | CAPACITY | LENGTH | WIDTH | HEIGHT | WEIGHT | CASE QTY |
|-------------|---|--------|----------|--------|-------|--------|--------|----------|
| | | | QT | IN | IN | IN | LB | |
| 2031764 | 35-QT WAVEBRAKE® SIDE-PRESS BUCKET AND WRINGER WITH DRAIN | YELLOW | 35 | 23.92 | 16.05 | 36.00 | 19.95 | 1 |
| FG618688YEL | 44-QT WAVEBRAKE® SIDE-PRESS BUCKET AND WRINGER WITH DRAIN | YELLOW | 44 | 26.44 | 16.05 | 36.00 | 20.70 | 1 |
| FG757688YEL | 44-QT WAVEBRAKE® DOWN-PRESS BUCKET AND WRINGER WITH DRAIN | YELLOW | 44 | 24.59 | 16.05 | 36.97 | 18.70 | 1 |



Replacement Parts

| SKU # | DESCRIPTION | COLOR | CAPACITY | LENGTH | WIDTH | HEIGHT | WEIGHT | CASE QTY |
|---------|--|--------|----------|--------|-------|--------|--------|----------|
| | | | QT | IN | IN | IN | LB | |
| 2031763 | 35-QT WAVEBRAID® BUCKET AND CASTERS WITH DRAIN | YELLOW | 35 | 21.26 | 16.05 | 36.00 | 10.00 | 1 |
| 2064915 | WAVEBRAID® SIDE-PRESS WRINGER | YELLOW | N/A | 14.74 | 12.22 | 27.14 | 9.95 | 2 |
| 2064959 | WAVEBRAID® DOWN-PRESS WRINGER | YELLOW | N/A | 12.58 | 11.57 | 27.45 | 9.50 | 2 |

